

# TMS0901

## Timed Motion Sensor

### Product Description

The Timed Motion Sensor is designed to work along with the Intelligent Switch (Plug and Play Lighting). It is simple and quick to install, plugging directly into a connector on the side of the PPL0901.

The device is easily programmed to countdown in increments of five minutes, 20 minutes or one hour by simply moving a jumper lead when installing. The device provides 360° coverage comfortably covering 10 meters in any direction.

### Key Features

- Very Quick to Install
- Time settings with internal jumper.
- Selectable daylight settings with internal jumper.

### Used in conjunction with:



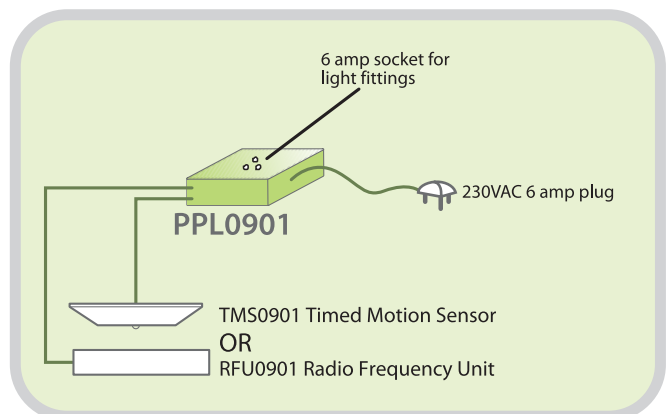
The KES Plug and Play Lighting Device PPL0901



The KES Radio Frequency Unit RFU0901



The KES Timed Motion Sensor



Typical Application



**kes**  
kgwanyape energy solutions

Voltage	Rated Power	Protection	Model Number
12V	N/A	N/A	TMS0901